

alora mood

P. 1.855.855.8926

CANADA: 19054 28TH Avenue Surrey - BC V3Z 6M3

USA: 3035 E. Lone Mountain Rd - Las Vegas, NV, 89081

NORA WV537508



FIXTURE DIMENSIONS	W8" x H8-1/8" x E9-7/8"
HEIGHT FROM CENTER	4-1/8"
EXTENSION	9-7/8"
LAMP TYPE	E26
MAX WATTAGE	60W
BULB QTY	1
BULBS INCLUDED	No
VOLTAGE	120V
GLASS DETAILS	Opal Glass
MATERIAL	Glass; Steel;
INSTALL OPTIONS	Down Only; Wall;
LOCATION	Damp
CANOPY DIMENSIONS	W6-1/4" x H5" x E1"
PAINT FINISH	AG01; BN01; MB01;

[D - Diameter, L - Length, W - Width, H - Height, E - Extension]

AVAILABLE FINISHES:



WV537508AGOP
Aged Gold/Opal
Matte Glass

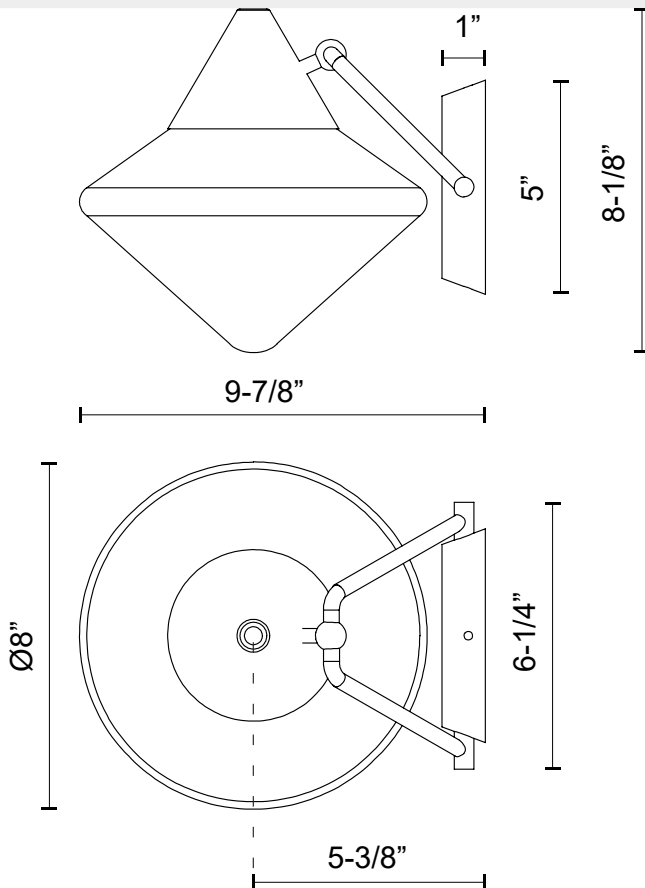


WV537508BNOP
Brushed
Nickel/Opal Matte
Glass



WV537508MBOP
Matte Black/Opal
Matte Glass

*For complete warranty terms, please visit: www.aloralighting.com/warranty



WWW.ALORAMOOD.COM

© 2022 KUZCO LIGHTING. ALL RIGHTS RESERVED.

